

# CaBano

## #28401, #28402, #28403

PushGo thermostatic valve and trim set

### INSTALLATION GUIDE



Last revision: October 23rd

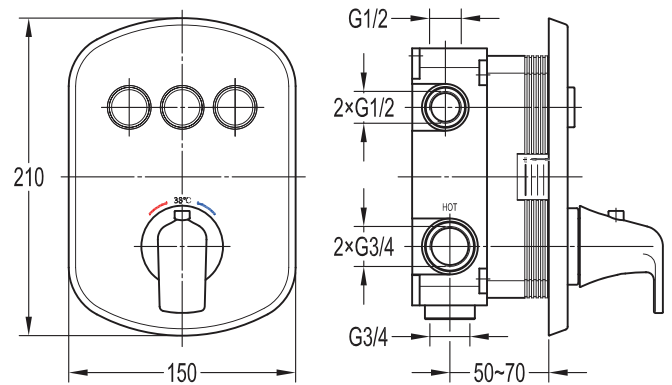
#### I. Installation Notice

1. Please lay water pipes in accordance with this manual.
2. Floor drain should be installed on the site.
3. Mixers should be installed only after the completion of house interior decoration in case paint or other chemicals erode the mixer surface.
4. Clean pipes to get rid of mud, sand or other debris blocked in pipes before installation.
5. Check whether the threads can be matched. Otherwise, install forceful will damage the components.
6. After installation, check all the joints to make sure they are firmly connected. Then keep water flow. Turn on and off repeatedly to ensure no leaking problem. After that, the product is ready for normal use.
7. Hand the manual to users.

#### II. Operation Notice

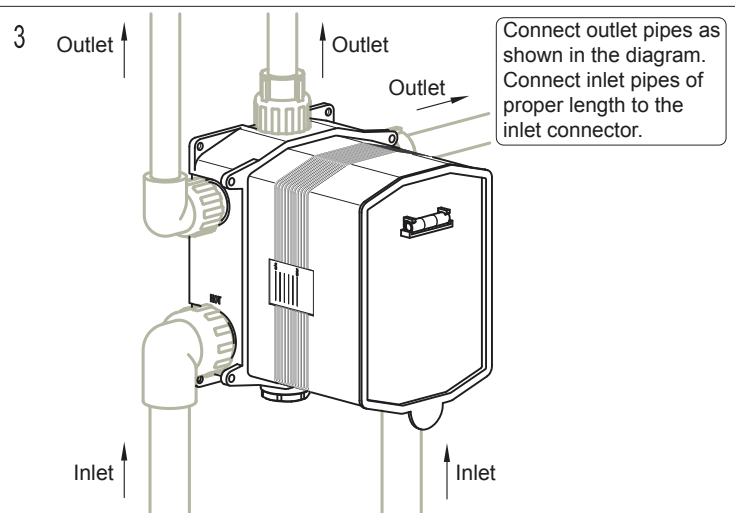
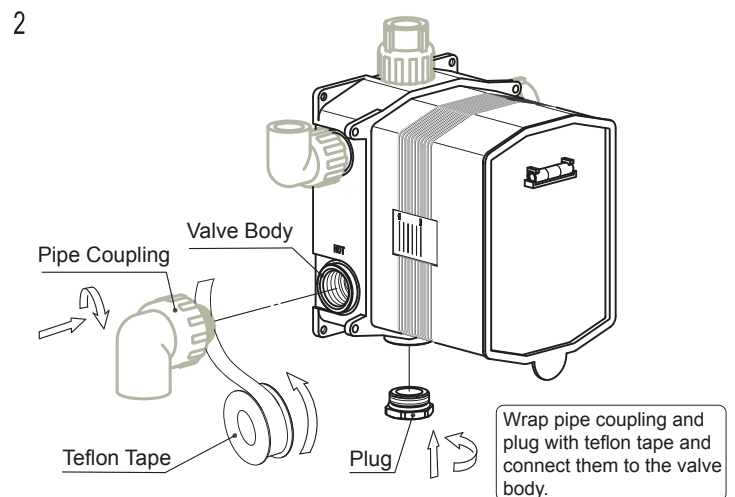
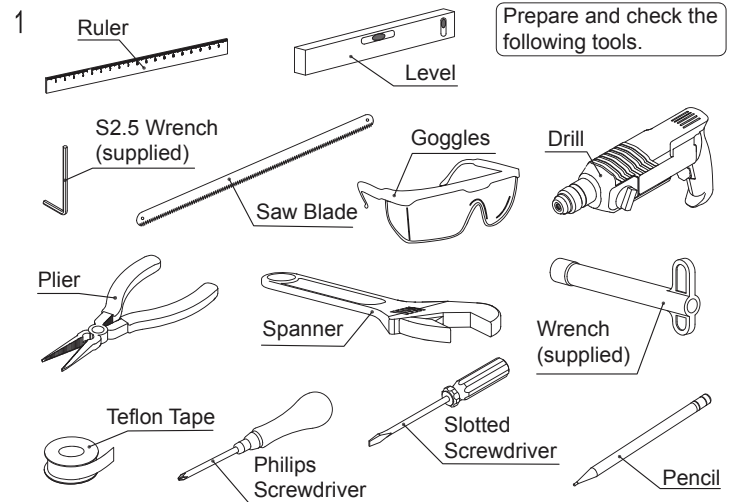
1. The product is used under cold water temperature 4~29°C, hot water temperature 55~85°C and water pressure 0.05~1.0 MPa. To avoid large pressure difference between hot and cold water, the thermostatic cartridge is preferably in use under the condition of water pressure 0.3 MPa, cold water 15°C, hot water 65°C. Main valve should be equipped with a filter.
2. Do not hang heavy things on the mixer.
3. Remember to turn off the mixer when no water comes out of it (especially when nobody in the house or during the decoration period or power off).
4. Clean the surface of mixer regularly to keep it bright. Note: Please do not use inappropriate tools such as sharp brushes, rough sponges, scouring pads or corrosive detergent. And it is not recommended to use the detergent sold in the market, because its formula changes frequently. Please clean the mixer with wet cloth and soapy water after some time of usage. Then rinse the soap off with clean water and dry with a soft cotton cloth.
5. When indoor temperature drops below 0°C, take necessary measures (keep mixer warm, close windows) to prevent the mixer from frost cracking (especially when windows are kept open for ventilation while nobody in the house).
6. Run cold water first and then run hot water, adjust the temperature before in use. Do not touch the hot water area of the mixer to avoid injury.
7. Do not disassemble the product without help from the professionals.

#### III. Installation Diagram

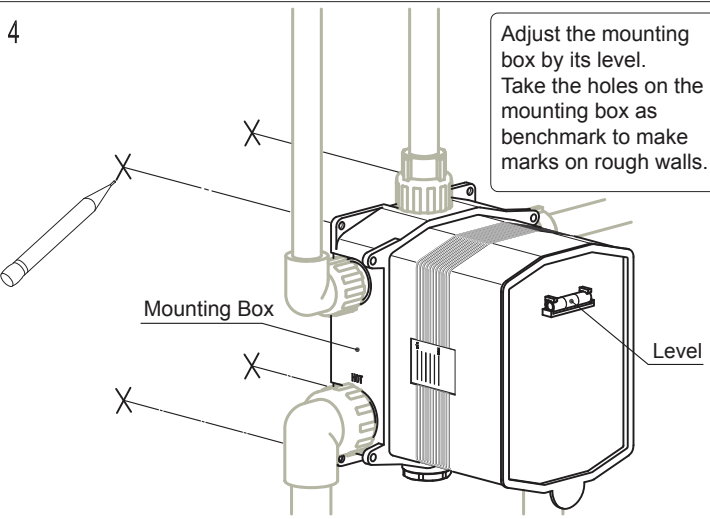


#### IV. Installation Steps

\* The installation diagram is only for reference. The product is subject to the real object.

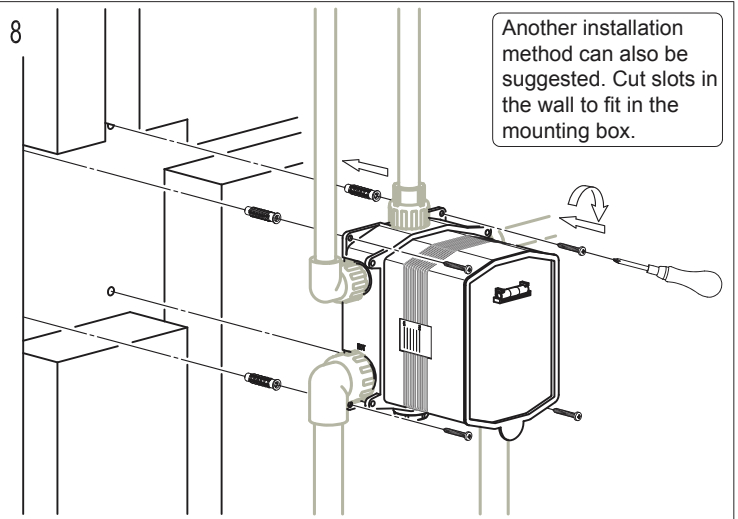


4



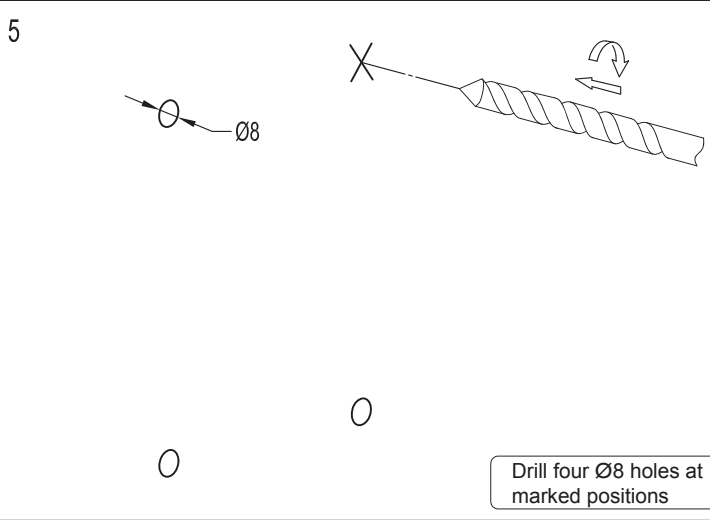
Adjust the mounting box by its level. Take the holes on the mounting box as benchmark to make marks on rough walls.

8



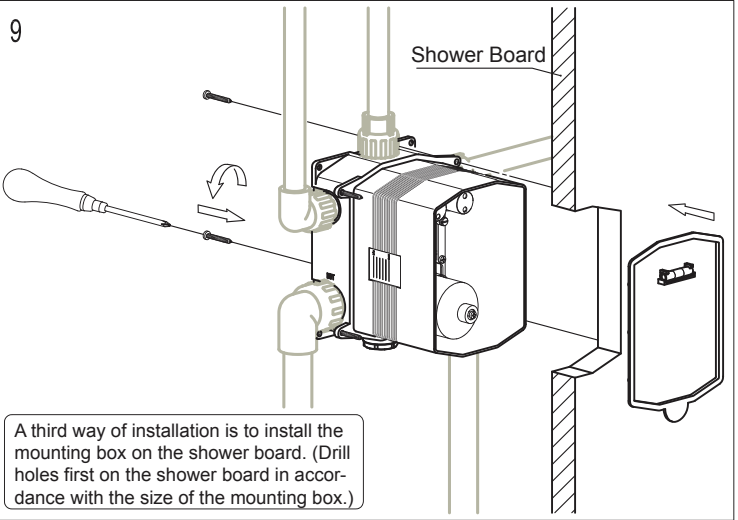
Another installation method can also be suggested. Cut slots in the wall to fit in the mounting box.

5



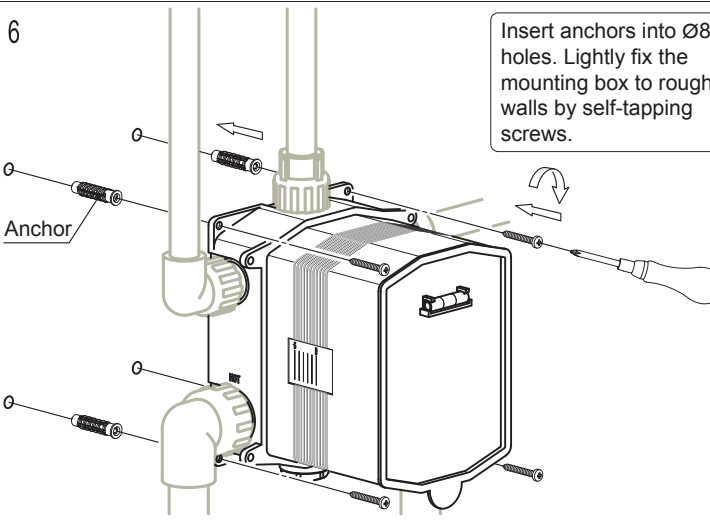
Drill four Ø8 holes at marked positions

9



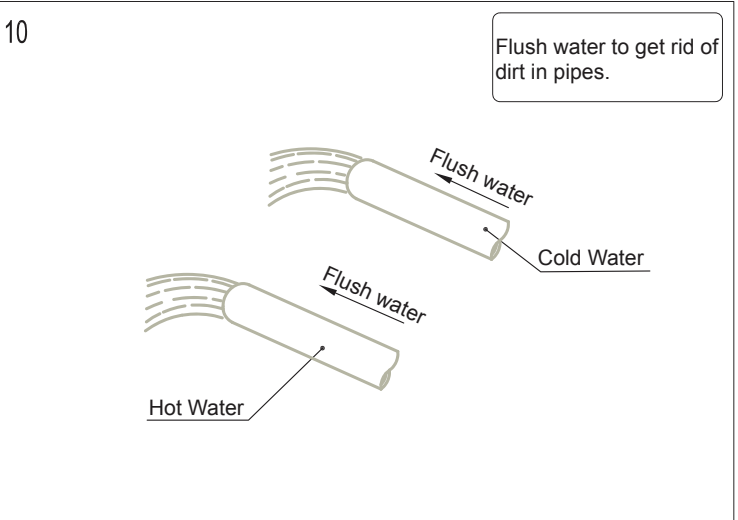
A third way of installation is to install the mounting box on the shower board. (Drill holes first on the shower board in accordance with the size of the mounting box.)

6



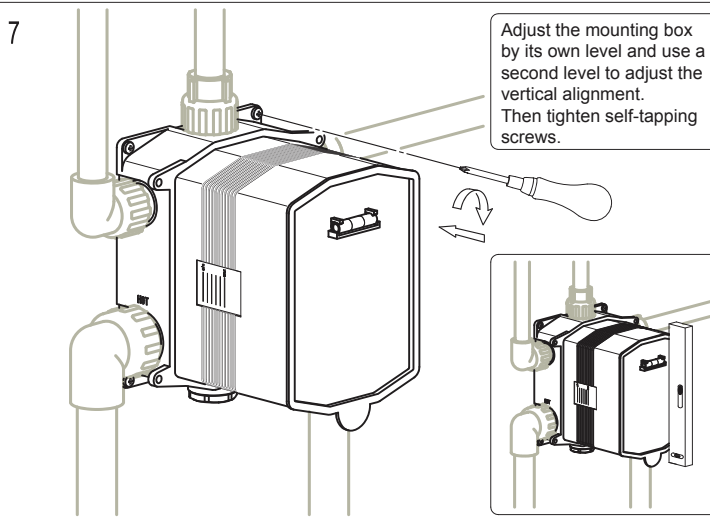
Insert anchors into Ø8 holes. Lightly fix the mounting box to rough walls by self-tapping screws.

10



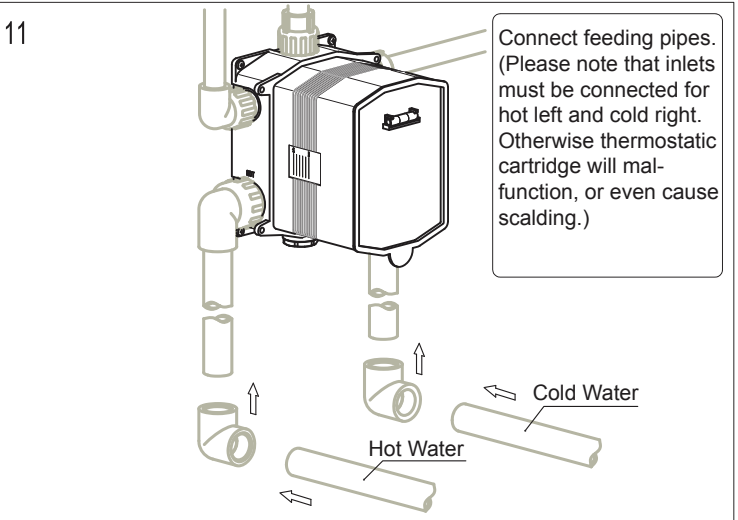
Flush water to get rid of dirt in pipes.

7



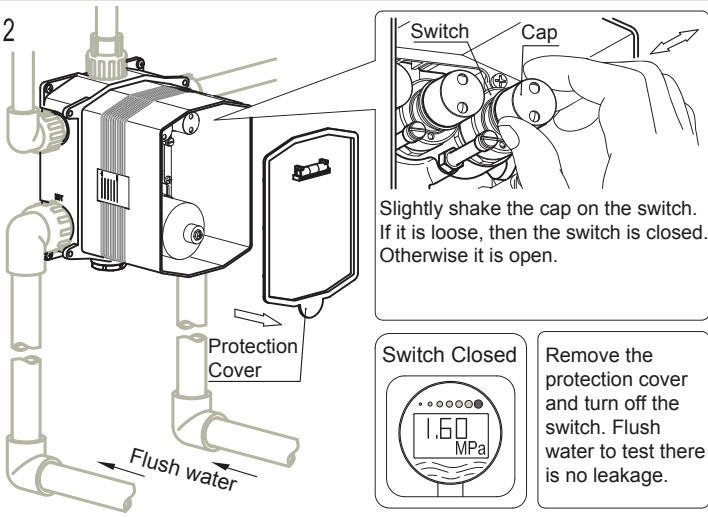
Adjust the mounting box by its own level and use a second level to adjust the vertical alignment. Then tighten self-tapping screws.

11

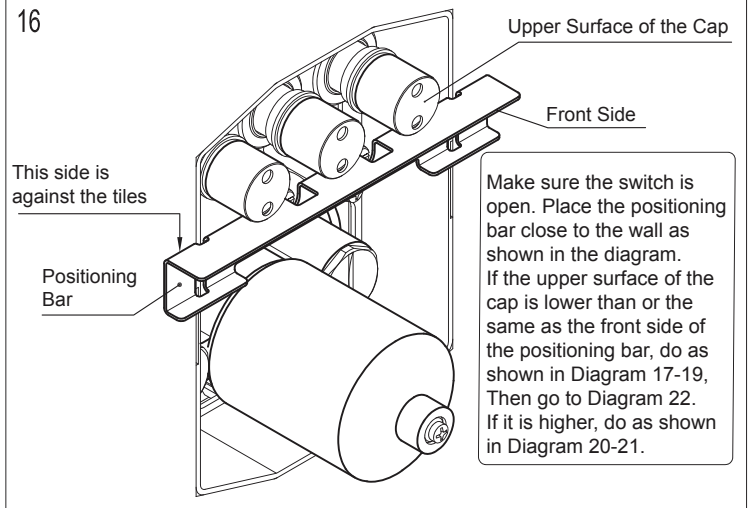


Connect feeding pipes. (Please note that inlets must be connected for hot left and cold right. Otherwise thermostatic cartridge will malfunction, or even cause scalding.)

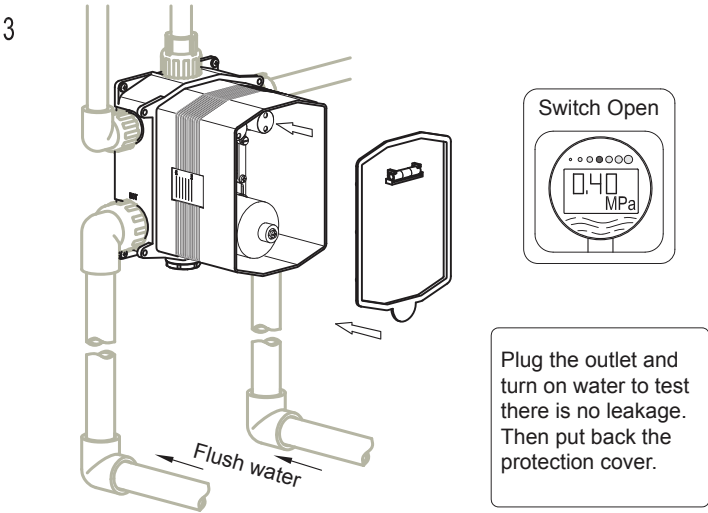
12



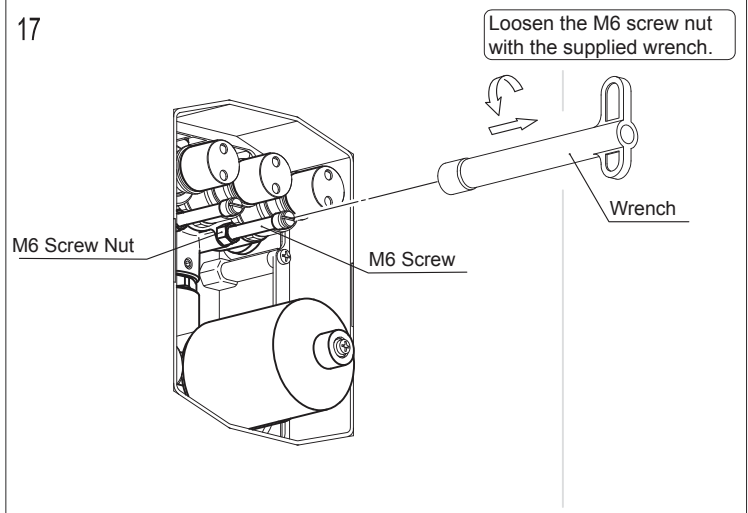
16



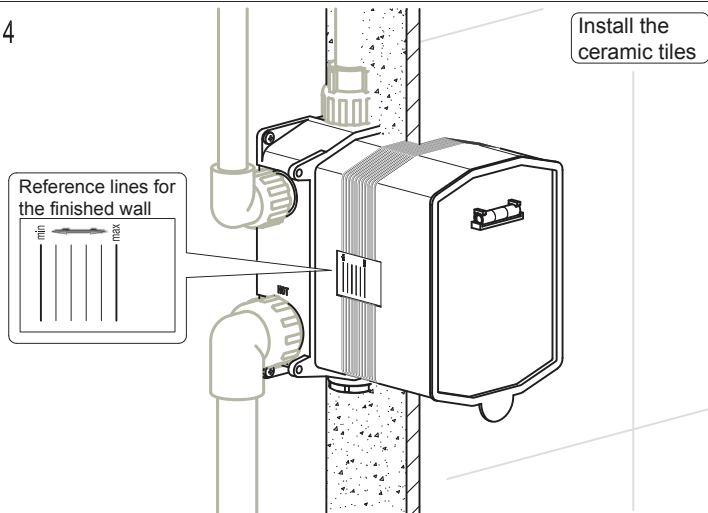
13



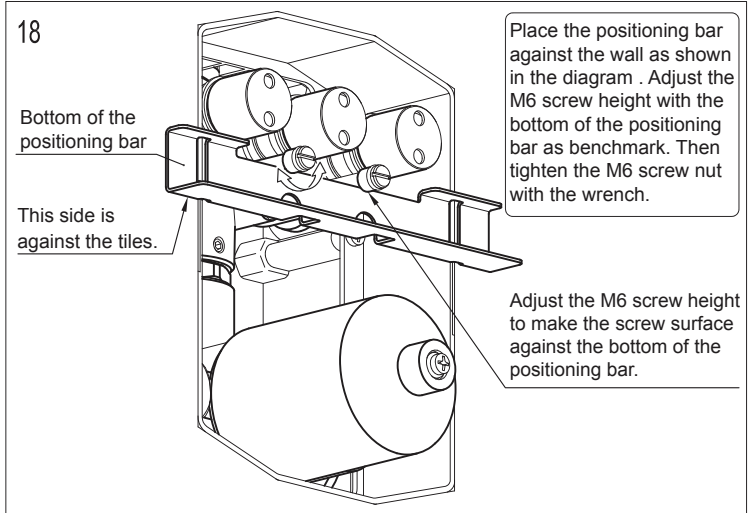
17



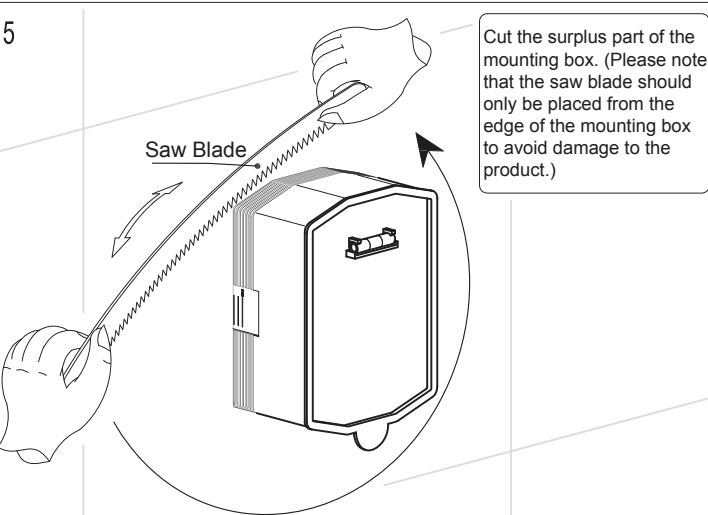
14



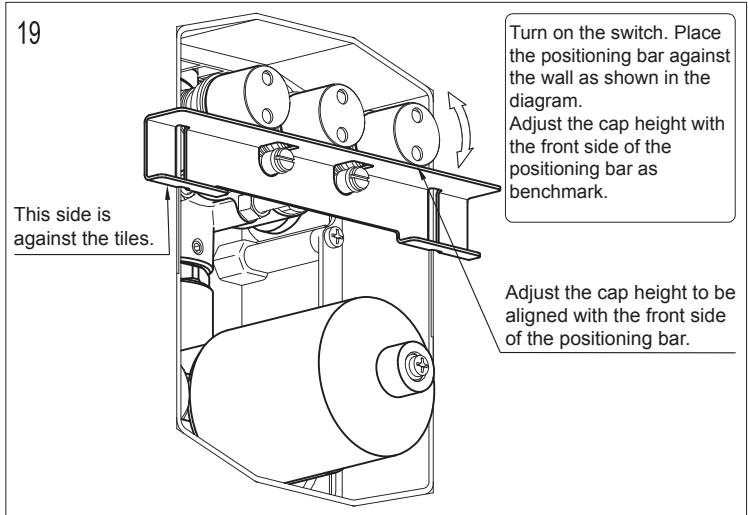
18



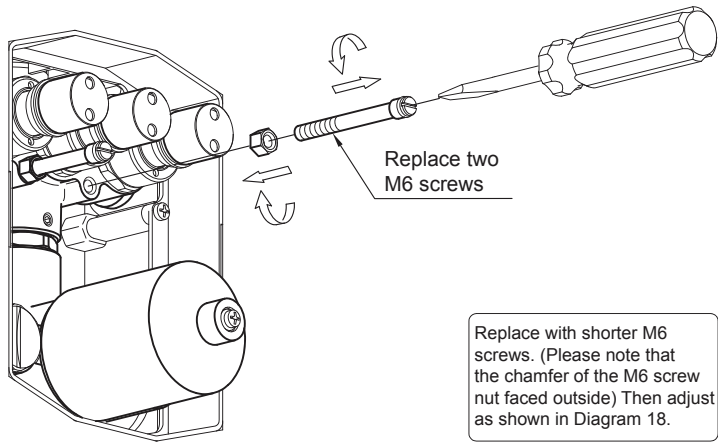
15



19



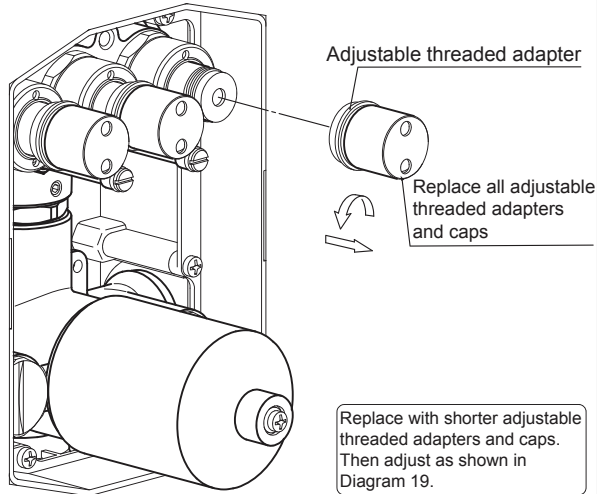
20



Replace two M6 screws

Replace with shorter M6 screws. (Please note that the chamfer of the M6 screw nut faced outside) Then adjust as shown in Diagram 18.

21

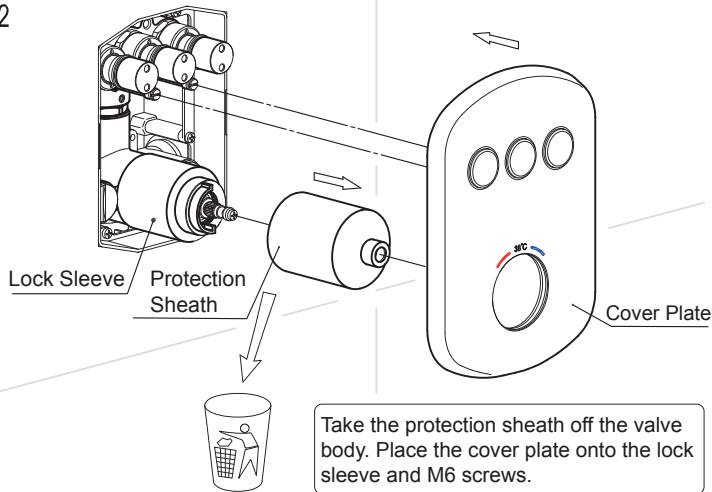


Adjustable threaded adapter

Replace all adjustable threaded adapters and caps

Replace with shorter adjustable threaded adapters and caps. Then adjust as shown in Diagram 19.

22

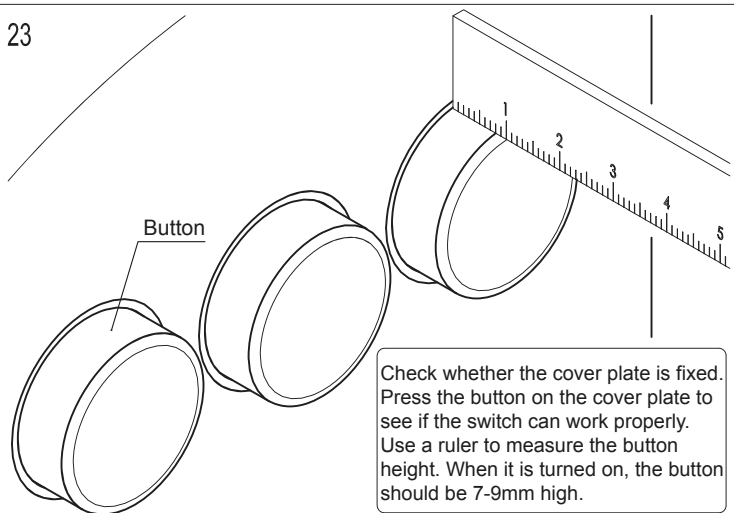


Lock Sleeve Protection Sheath

Cover Plate

Take the protection sheath off the valve body. Place the cover plate onto the lock sleeve and M6 screws.

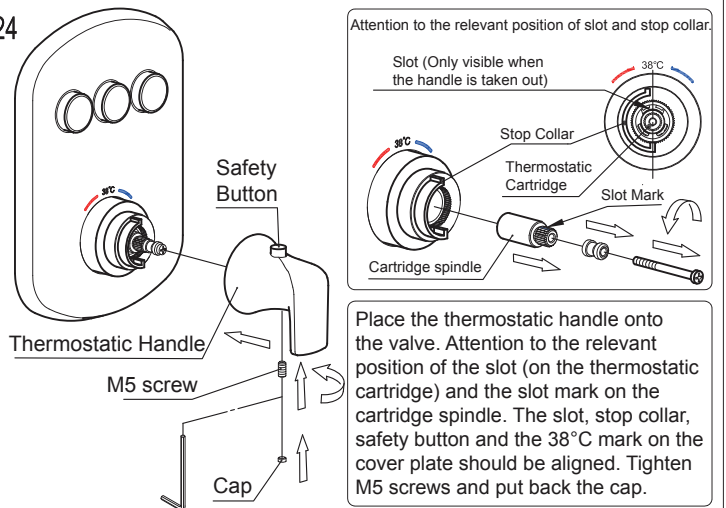
23



Button

Check whether the cover plate is fixed. Press the button on the cover plate to see if the switch can work properly. Use a ruler to measure the button height. When it is turned on, the button should be 7-9mm high.

24

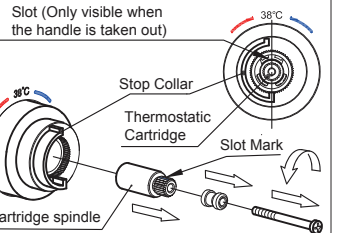


Thermostatic Handle

M5 screw

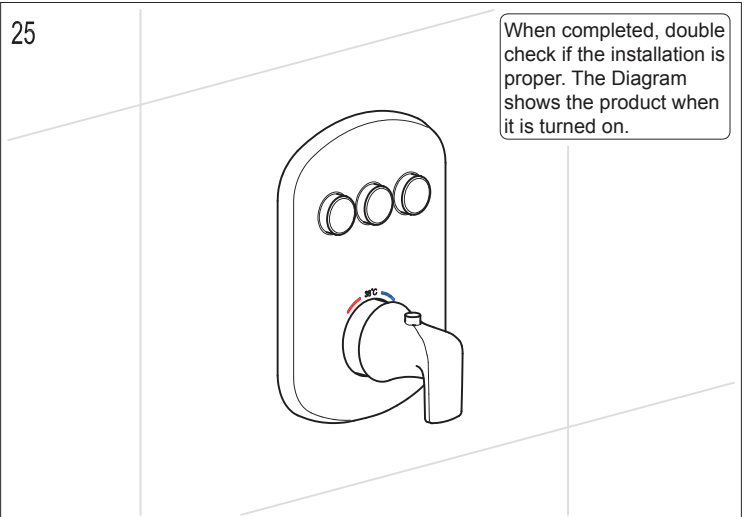
Cap

Attention to the relevant position of slot and stop collar.



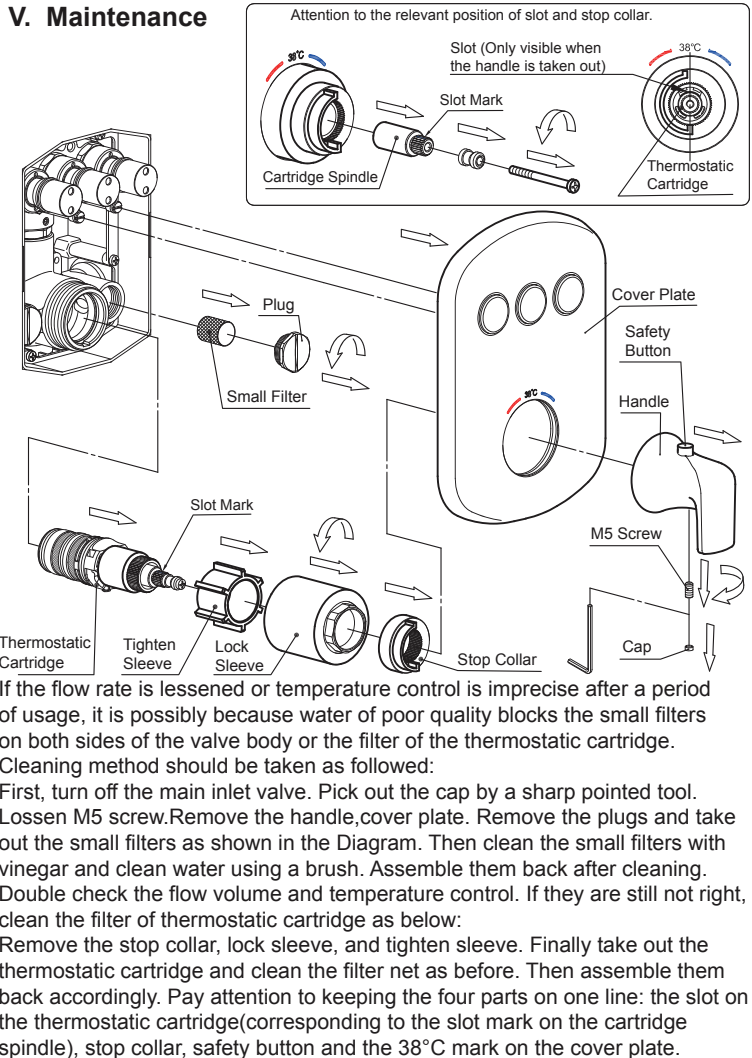
Place the thermostatic handle onto the valve. Attention to the relevant position of the slot (on the thermostatic cartridge) and the slot mark on the cartridge spindle. The slot, stop collar, safety button and the 38°C mark on the cover plate should be aligned. Tighten M5 screws and put back the cap.

25



When completed, double check if the installation is proper. The Diagram shows the product when it is turned on.

## V. Maintenance



Attention to the relevant position of slot and stop collar.

Slot (Only visible when the handle is taken out)

Slot Mark

Cartridge Spindle

Thermostatic Cartridge

Plug

Small Filter

Cover Plate

Safety Button

Handle

M5 Screw

Cap

Thermostatic Cartridge

Tighten Sleeve

Lock Sleeve

Stop Collar

If the flow rate is lessened or temperature control is imprecise after a period of usage, it is possibly because water of poor quality blocks the small filters on both sides of the valve body or the filter of the thermostatic cartridge. Cleaning method should be taken as followed:

First, turn off the main inlet valve. Pick out the cap by a sharp pointed tool. Loosen M5 screw. Remove the handle, cover plate. Remove the plugs and take out the small filters as shown in the Diagram. Then clean the small filters with vinegar and clean water using a brush. Assemble them back after cleaning. Double check the flow volume and temperature control. If they are still not right, clean the filter of thermostatic cartridge as below: Remove the stop collar, lock sleeve, and tighten sleeve. Finally take out the thermostatic cartridge and clean the filter net as before. Then assemble them back accordingly. Pay attention to keeping the four parts on one line: the slot on the thermostatic cartridge (corresponding to the slot mark on the cartridge spindle), stop collar, safety button and the 38°C mark on the cover plate.